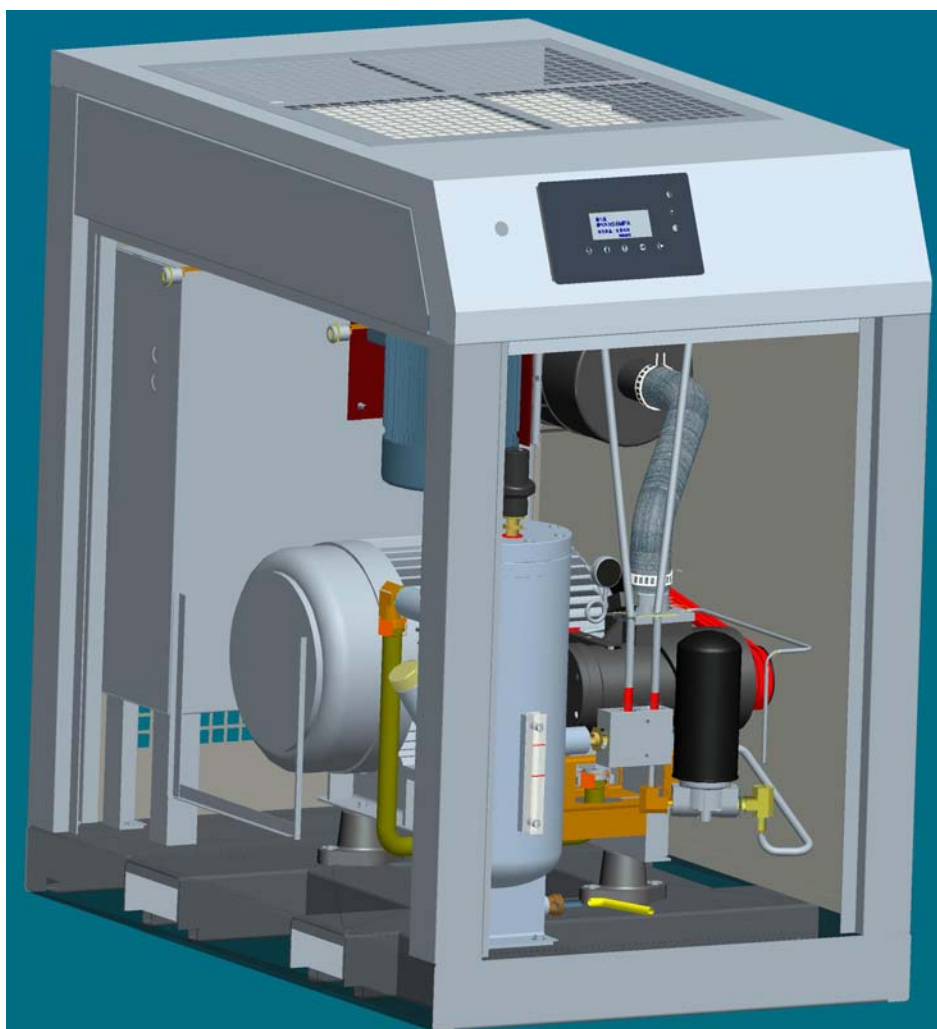


E-15/20 EXPLOSIVE DRAWING

Part No.:90758002

Version: A

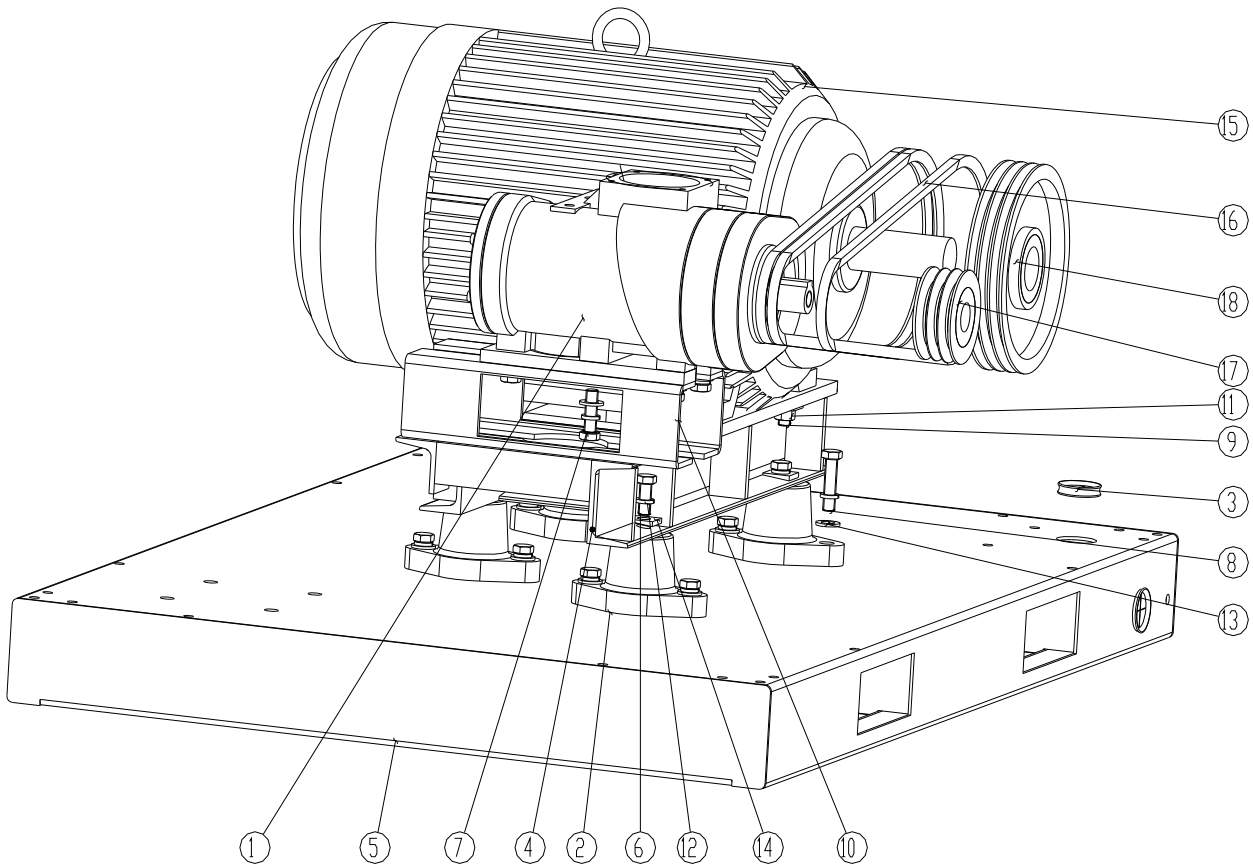
Date: Nov. 2011



Contents	Pages
Transmit Components 80800115-015.....	1
Air Inlet System Components 80800120-005	2
Air Outlet System Components 80800125-002	3
Canopy Components 80800130-006.....	4
Controlling Pipe System Components 80800135-001.....	5
Oil-tank Components 80800140-015.....	6
Cooler System Components 80800145-001	7
Oil Pipe Components 80800170-003	8
Fan Components 80800220-003	9
Electrical Panel Components 80800165-009	10
Industrial Control Panel 80800666-009.....	11
Electrical Panel Components 80800165-010	12
Industrial Control Panel 80800666-010.....	13

1

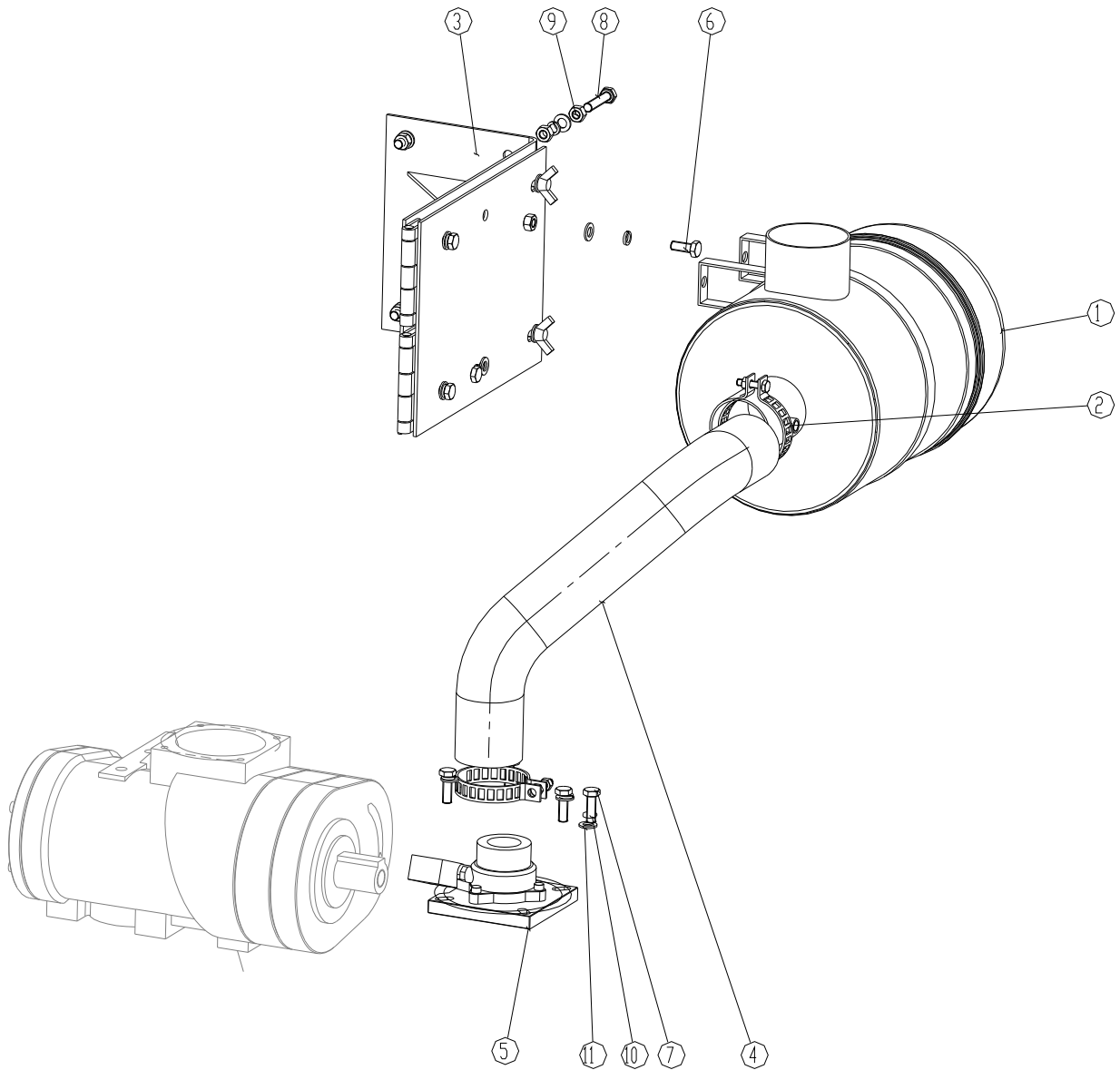
Transmit Components 80800115-015



Item	Part No.	Description	Qty	Item	Code	Description	Qty
1	00060001-001	Airend(AW136)	1	15	104122011B131	Motor 15HP SF:1.15 AEHH2015(254T)	1
2	26005018-002	Vibration Reductor	4		104122015B131	Motor 20HP SF:1.15 AEHH2020(256T)	1
3	26030001-040	Waterproof Washer \varnothing 40	2	16	55170123-000	Belt, E-15, 100&125PSI	3
4	35150801-046	Vibration Reductor Table	1		55150162-000	Belt,E-15 150&190PSI, E-20	3
5	35150801-047	Base Platform	1	17	55245150-328	Airend Pulley (E-15, 100PSI)	1
6	60125012-030	Bolt M12×30	4		55245160-328	Airend Pulley (E-15, 125PSI)	1
7	60125012-040	Bolt M12×40	6		55245170-328	Airend Pulley (E-15, 150PSI)	1
8	60125012-050	Hex-head Bolt M12×50	8		55248180-328	Airend Pulley (E-15, 190PSI)	1
9	60125012-060	Bolt M12×60	4		55245112-328	Airend Pulley (E-20, 100PSI)	1
10	60125012-090	Hex-head Bolt M12×90	3		55245118-328	Airend Pulley (E-20, 125&150PSI)	1
11	60215012-000	Hex Nut M12	7		55245125-328	Airend Pulley (E-20, 190PSI)	1
12	60315012-000	Spring Washer 12	22	18	55245190-341	Motor Pulley (E-15, 100&125PSI)	1
13	60330012-000	Plane Washer 12	18		55245180-341	Motor Pulley(E-15,150PSI. E-20, 150&190PSI)	1
14	60352012-000	Square Washer	8		55245170-341	Motor Pulley(E-15, 190PSI)	1
					55245200-341	Motor Pulley(E-20, 110&125PSI)	1

2

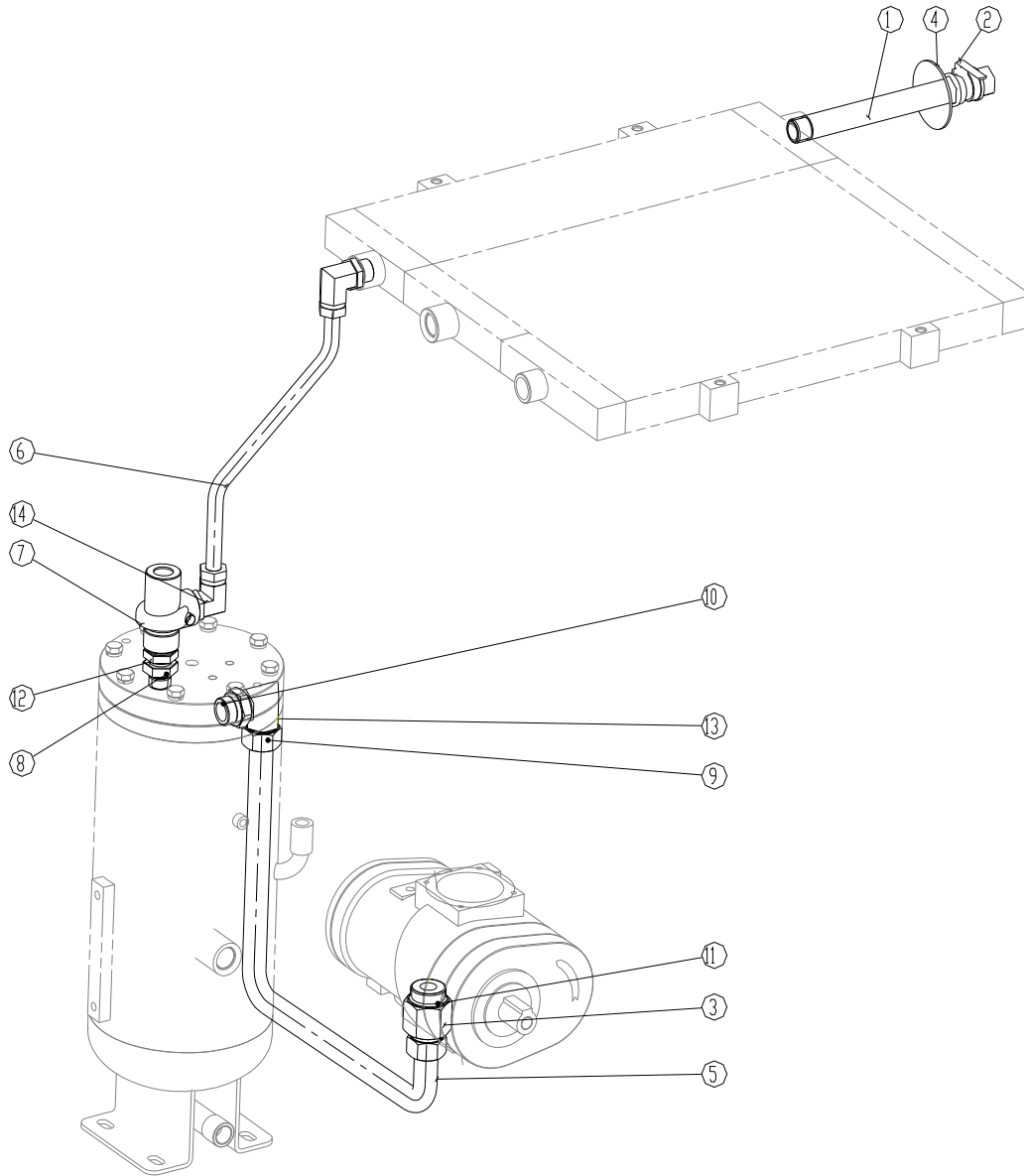
Air Inlet System Components 80800120-005



Item	Part No.	Description	Qty	Item	Part No.	Description	Qty
1	25150043-071	Air Filter Assembly	1	6	60125008-020	Hex-head Bolt M8×20	4
	25100043-071	Air Filter Core	1	7	60125008-025	Hex-head Bolt M8×25	4
2	26010046-070	Hoop	2	8	60125008-040	Hex-head Bolt M8×40	4
3	35150801-089	Air Filter Bracket	1	9	60215008-000	Hex Nut M8	12
4	40249048-004	Air Filter Inlet Hose	1	10	60315008-000	Spring Washer 8	12
5	50780040-207	Suction Valve	1	11	60330008-000	Plane Washer 8	12
	50715253-006	Solenoid Valve	1				
	50780000-013	Inlet Valve Kit	1				
	50730012-307	Vent Valve	1				

3

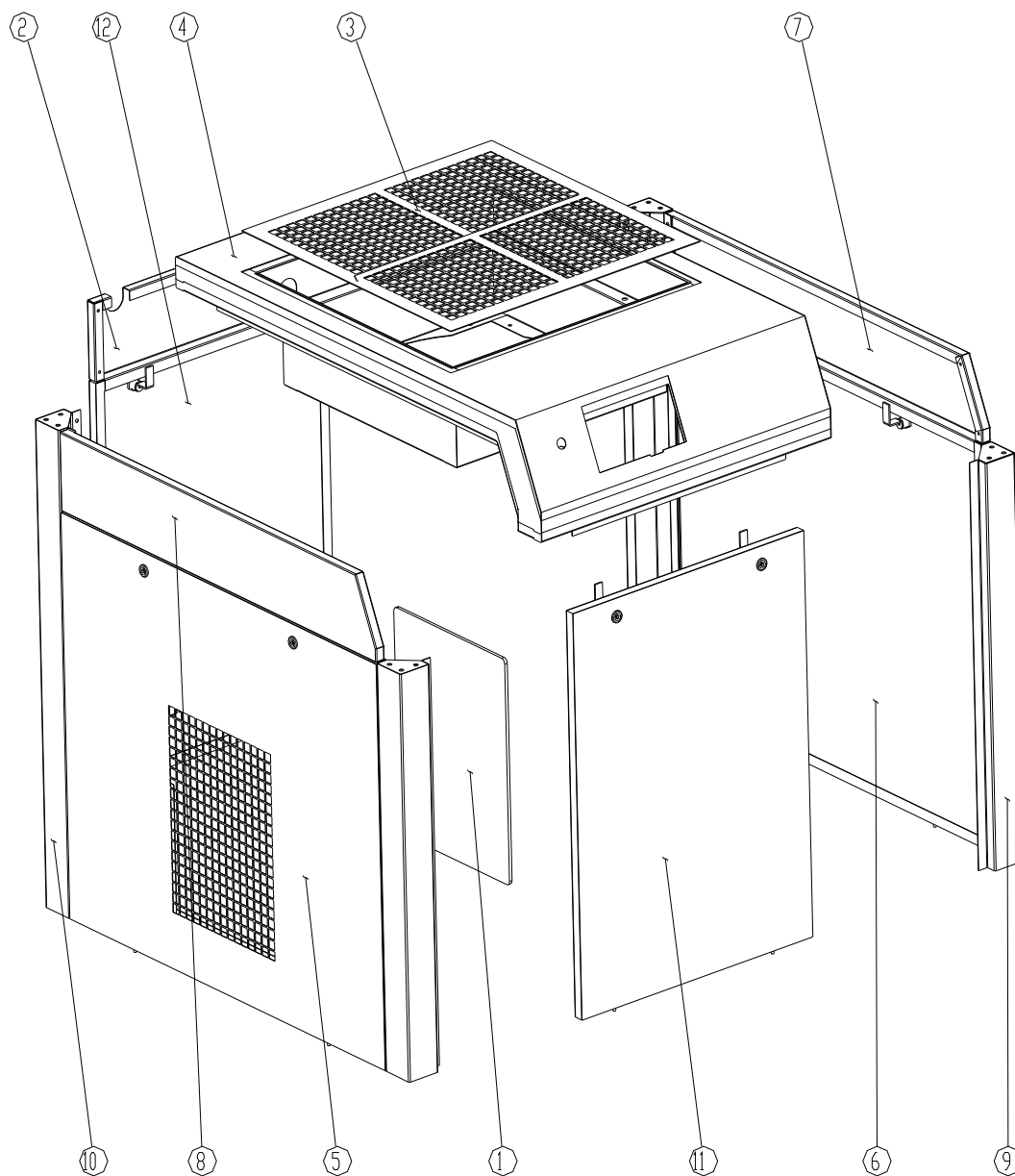
Air Outlet System Components 80800125-002



Item	Part No.	Description	Qty	Item	Part No.	Description	Qty
1	40359020-304	Air Supply Pipe	1	8	60400236-3	O-ring	1
2	50791020-300	Ball Valve	1	9	60400250-1	O-ring	2
3	35350018-002	Joint of Airend Discharge	1	10	60400300-3	O-ring	4
4	37150015-001	Rubber of Air Outlet Pipe	1	11	60400400-2	O-ring	1
5	40159020-317	Metal Hose from airend to Oil tank	1	12	65019182-1	Adjustable Joint	1
6	40359018-001	Pipe from Oil tank to After Cooler	1	13	65025362-1	Adjustable Joint	1
7	50770020-300	MPV	1	14	65207182-1	Clip Adjustable Right-angle Joint	1
	50770000-001	MPV Kit	1				

4

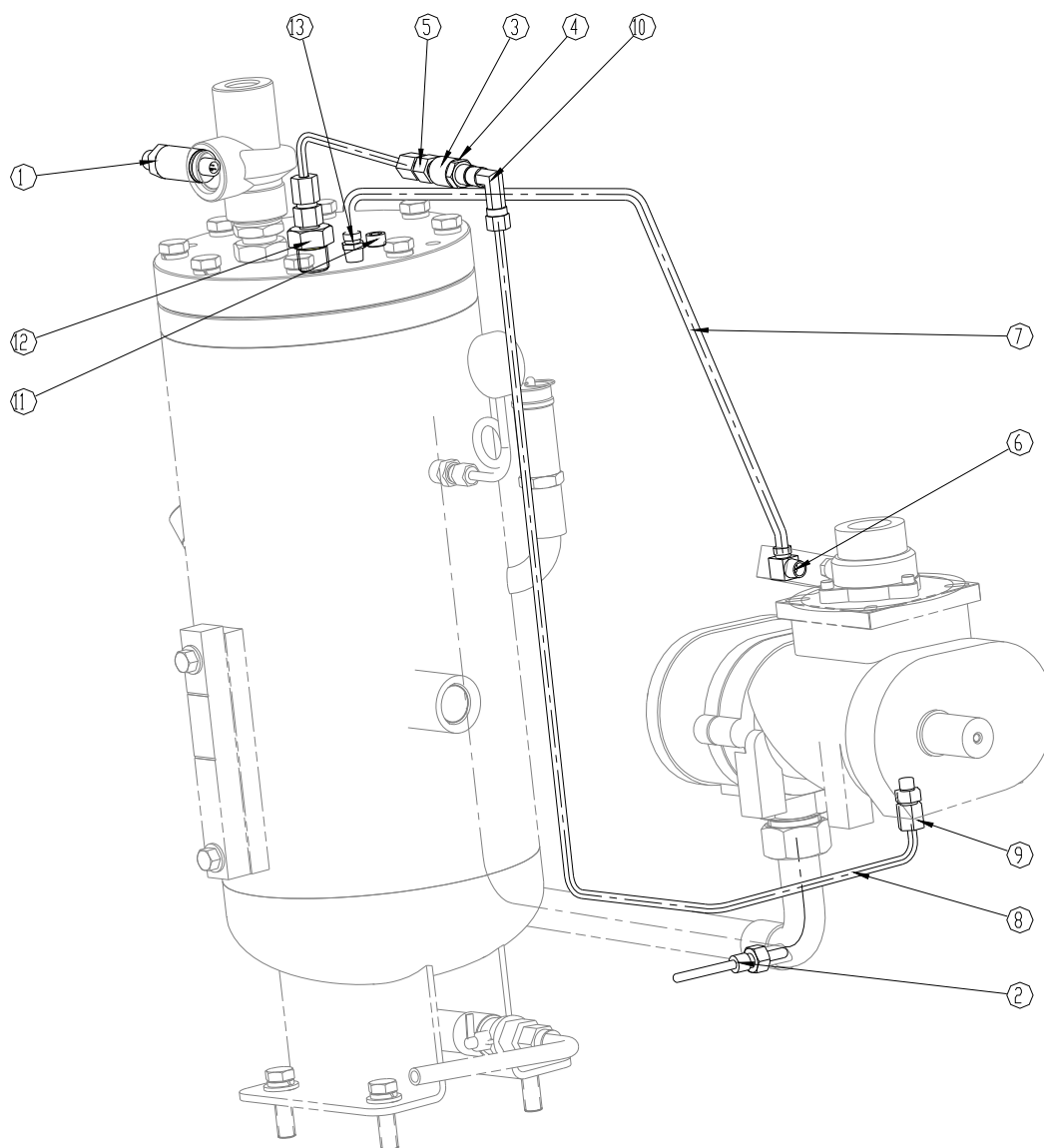
Canopy Components 80800130-006



Item	Part No.	Description	Qty	Item	Part No.	Description	Qty
1	26030055-014	Mesh Filter	1	7	35150801-052	Side Board 1	1
2	35150801-006	Front Pillar of Back Board	2	8	35150801-053	Left Fixed Board	1
3	35150801-009	Back Pillar of Top Cover	1	9	35150801-081	Front Pillar	1
4	35150801-048	Top Board	1	10	35150801-082	Back Pillar	1
5	35150801-049	Left Door	1	11	35150801-086	Front Door	1
6	35150801-050	Right Door	1	12	35150801-087	Back Door	1

5

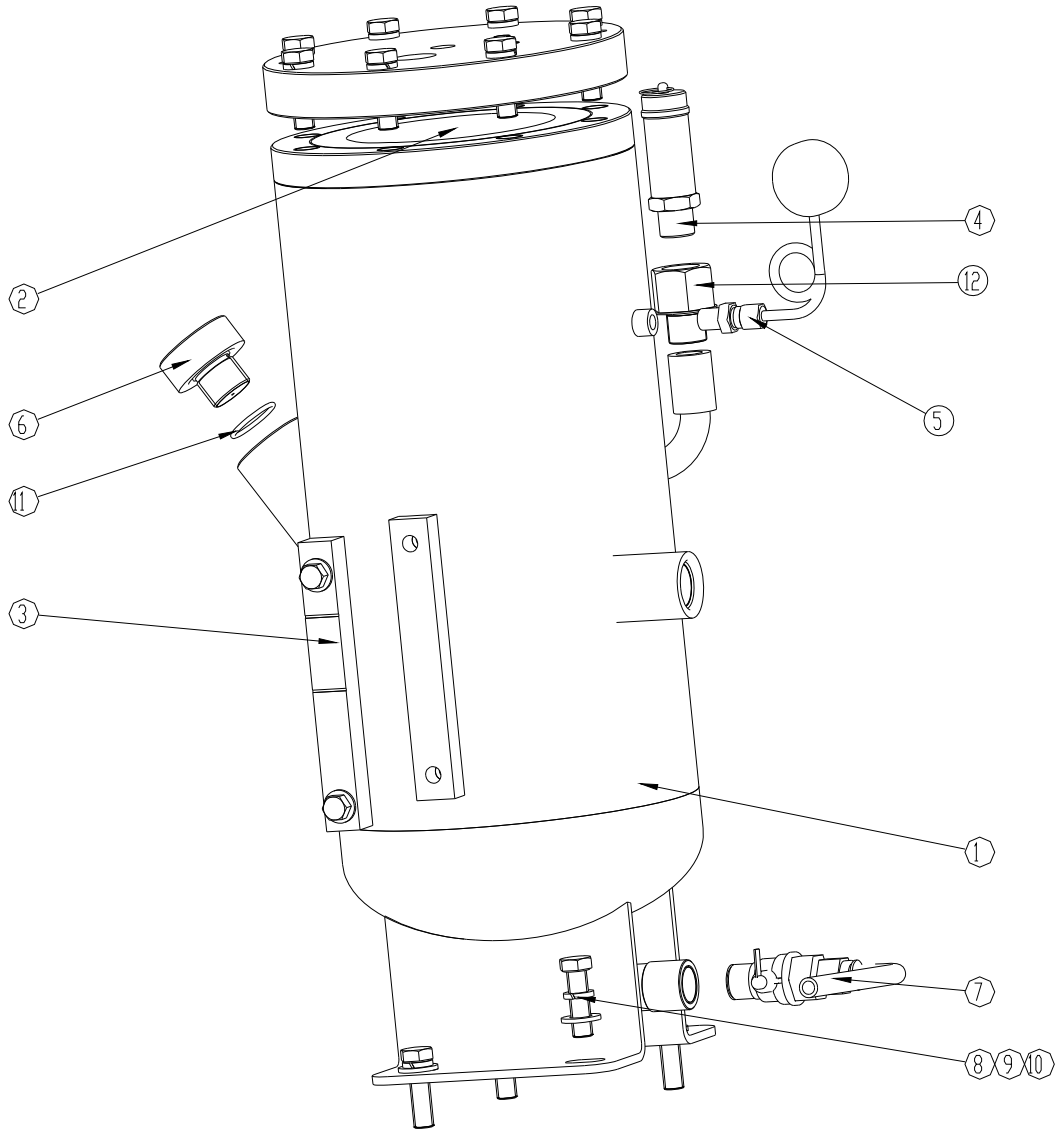
Controlling Pipe System Components 80800135-001



Item	Part No.	Description	Qty	Item	Part No.	Description	Qty
1	50725016-004	Pressure Sensor	1	8	40359006-301	Oil Return Pipe	1
2	50720200-006	Temp. Sensor	1	9	65205060-101	Clip Straight Joint	1
3	26015002-000	Oil-return Sight Glass	1	10	65210061-020	Clip Straight Joint	1
4	35350005-026	Throttle Joint	1	11	65115681-040	Inner-Hex Plug	1
5	65205061-040	Clip Straight Joint	1	12	35350005-011	Inner-Outer Joint	1
6	65049081-020	Hose Right-angle Joint	1	13	65048081-040	Hose Straight Joint	1
7	40269008-302	Nylon Tube	1				

6

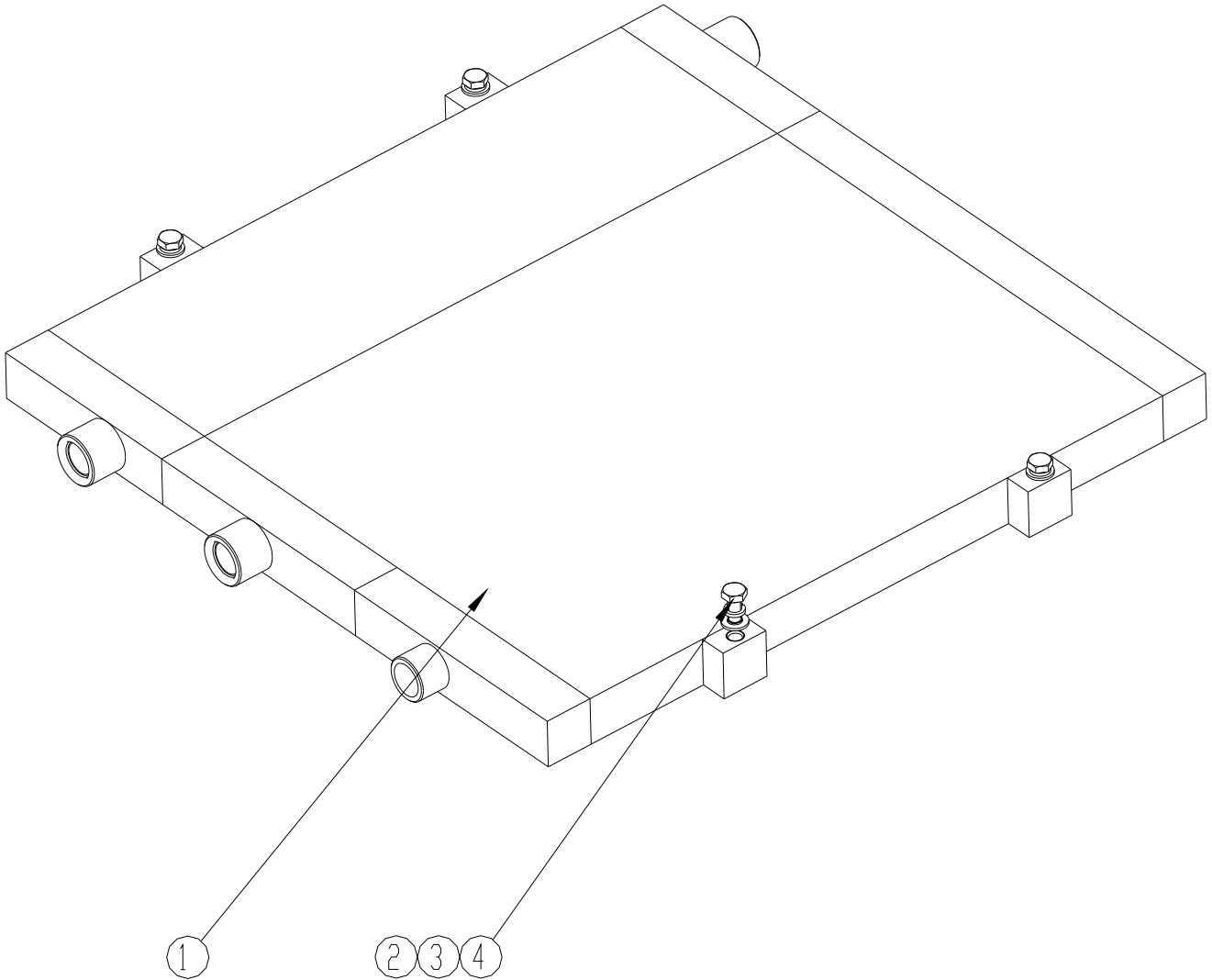
Oil-tank Components 80800140-015



Item	Part No.	Description	Qty	Item	Part No.	Description	Qty
1	20980145-033	Oil-air Tank	1	6	35350005-002	Oil fill-in Plug	1
2	25300045-021	Oil Separator	1	7	80519185-001	Drain Pipe Components	1
3	26015001-000	Oil Sight Glass	1	8	60125012-040	Bolt M12×40	4
4	50800015-152	Safety Valve (7bar)	1	9	60330012-000	Plane Washer 12	4
	50800015-252	Safety Valve (8bar)	1	10	60315012-000	Spring Washer 12	4
	50800015-352	Safety Valve (10bar)	1	11	60400280-265	O-ring	1
	50800015-452	Safety Valve (12.5bar)	1	12	65056008-008	Inner-Outer Joint	1
5	50801000-002	Pressure Meter Parts	1				

7

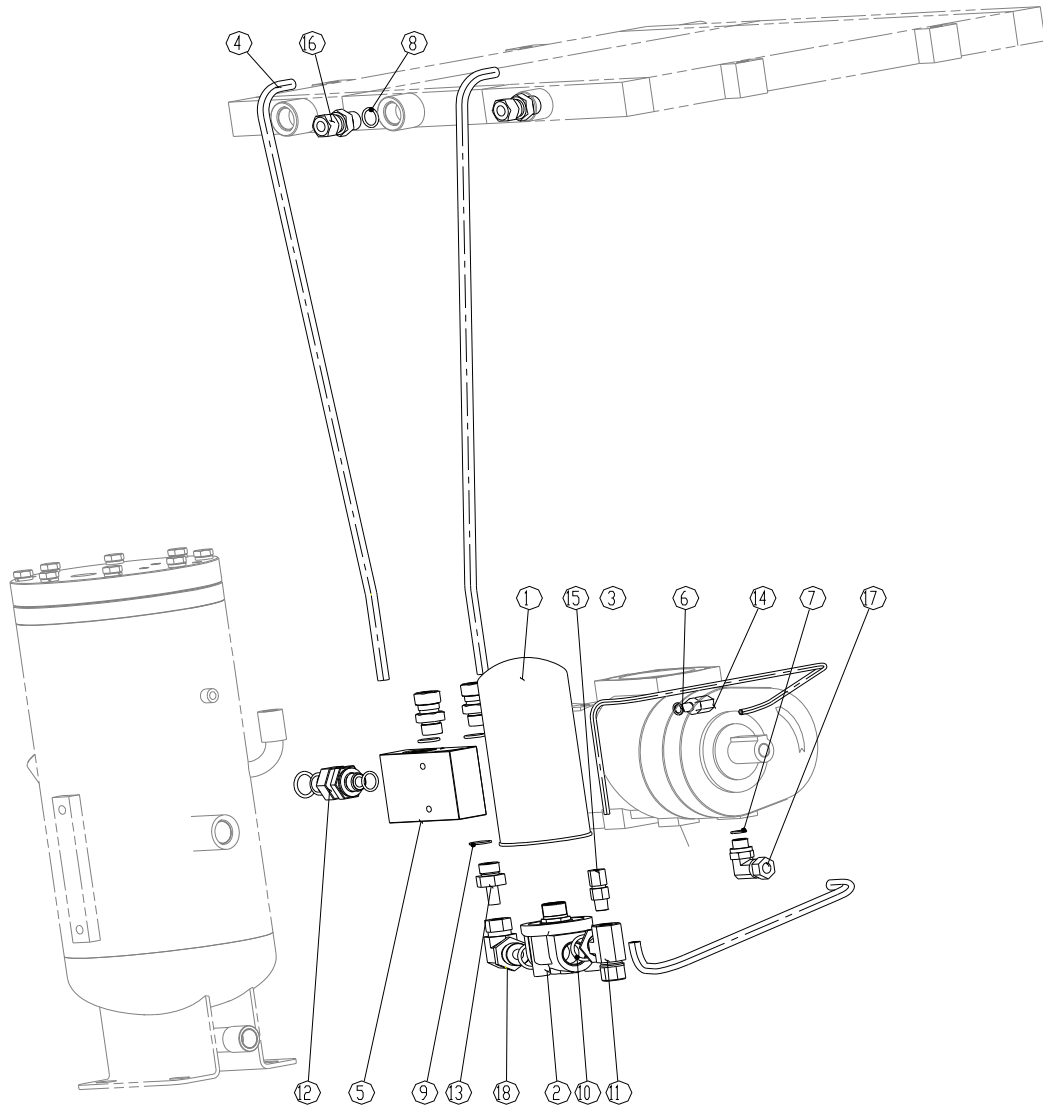
Cooler System Components 80800145-001



Item	Part No.	Description	Qty	Item	Part No.	Description	Qty
1	15030011-402	Cooler(E-15)	1	3	60315010-000	Spring Washer 10	4
	15030015-303	Cooler(E-20)		4	60330010-000	Plane Washer 10	4
2	60125010-020	Hex-head Bolt M10×20	4				

8

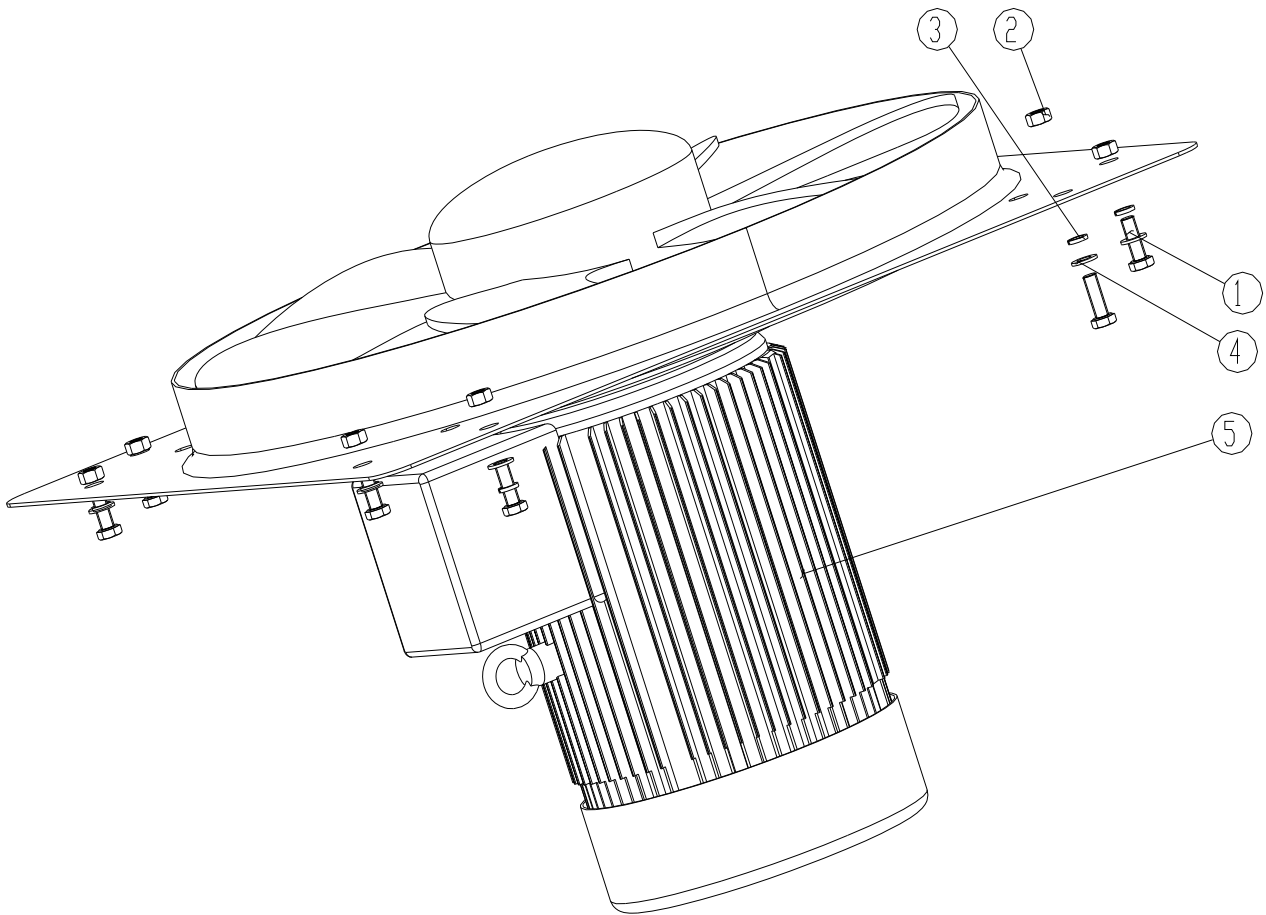
Oil Pipe Components 80800170-003



Item	Part No.	Description	Qty	Item	Part No.	Description	Qty
1	25200007-001	Oil Filter	1	10	60400236-355	O-ring	3
2	25200070-018	Oil Filter Seat	1	11	65009122-123	Clip T-Connection Adjustable Joint	1
3	40359006-301	Oil Pipe from Thermostatic valve to Oil Cooler	1	12	65019122-123	Adjustable Middle Joint	1
4	40359012-302	Oil Pipe from Oil Cooler to Thermostatic Valve	1	13	65204122-082	Combined Joint	1
5	50775081-211	Thermostatic Valve	1	14	65205060-101	Straight Joint	1
6	60377010-027	Combined Seamless Washer	1	15	65205061-040	Clip Straight Joint	1
7	60400132-180	O-ring	1	16	65205122-083	Clip Joint	4
8	60400180-265	O-ring	5	17	65206120-163	Clip Adjustable Right-angle Joint	1
9	60400200-180	O-ring	1	18	65207122-123	Clip Adjustable Right-angle Joint	1

9

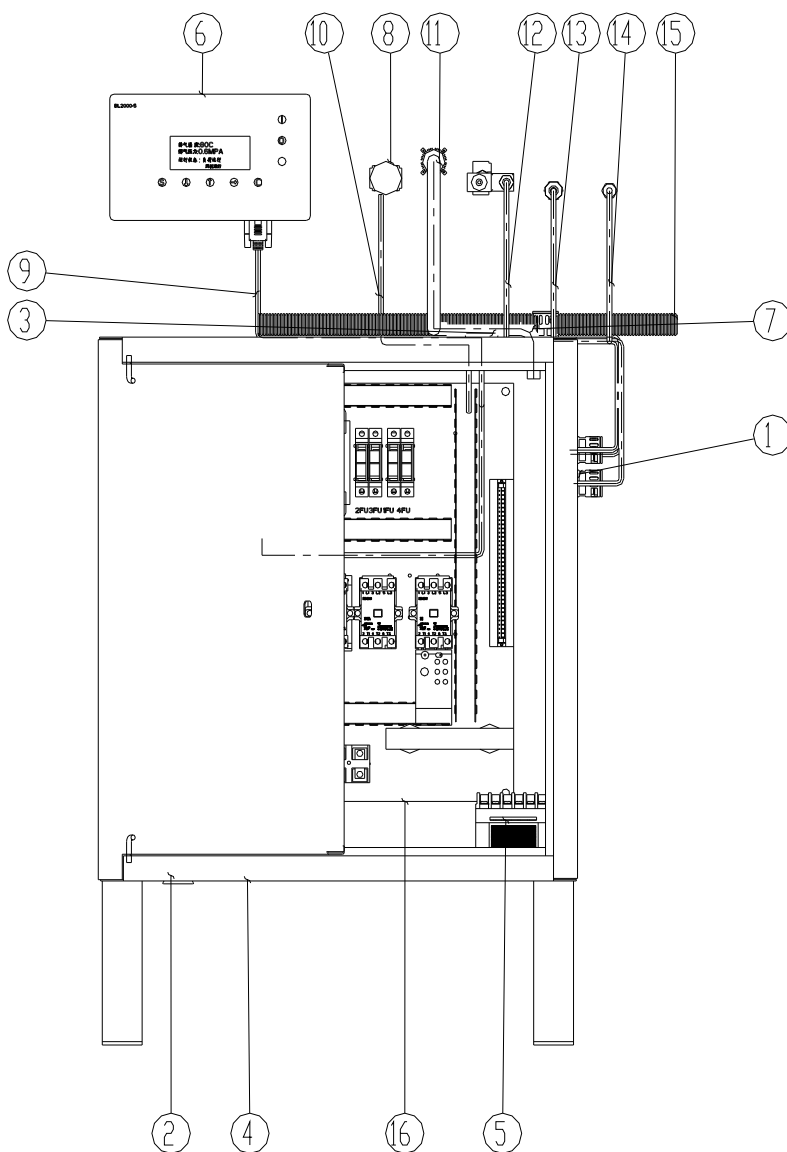
Fan components 80800220-003



Item	Part No.	Description	Qty	Item	Part No.	Description	Qty
1	60125008-025	Hex-head Bolt M8×25	8	4	60330008-000	Plane Washer 8	8
2	60215008-000	Hex Nut M8	8	5	70025018-115	Fan	1
3	60315008-000	Spring Washer 8	8				

10

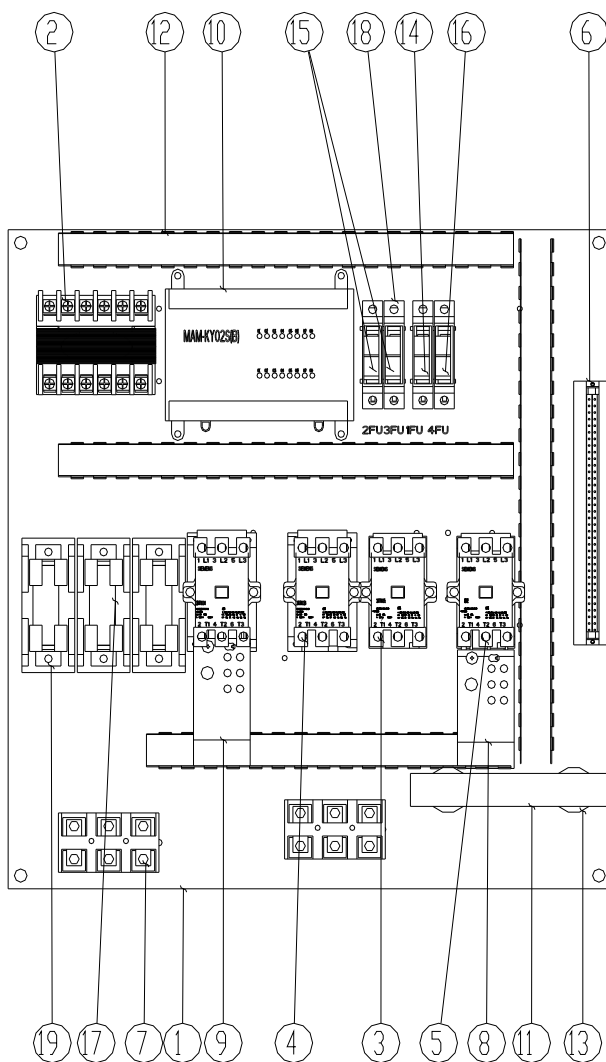
Electrical Panel Components 80800165-009



Item	Part No.	Description	Qty	Item	Part No.	Description	Qty
1	26030001-023	Waterproof Washer	1	9	45075006-413	Communicate Cable	1
2	26030001-035	Waterproof Washer	1	10	45075150-303	Connect Wire	BOM
3	26030001-040	Waterproof Washer	1	11	45075150-303P0	Connect Wire	1
4	35150801-113	Electrical Cabinet	1	12	45075150-303P1	Connect Wire	1
5	45018016-280	3Phase Transformer	1	13	45075150-303P4	Connect Wire	1
6	45064080-916	PLC Displayer	1	14	45075150-303P5	Connect Wire	1
7	45066023-111	Hose Joint	4	15	45080013-301	Wire Tube	BOM
8	45067025-110	Emergency Button	1	16	80800666-009	Industrial Control Panel	1

11

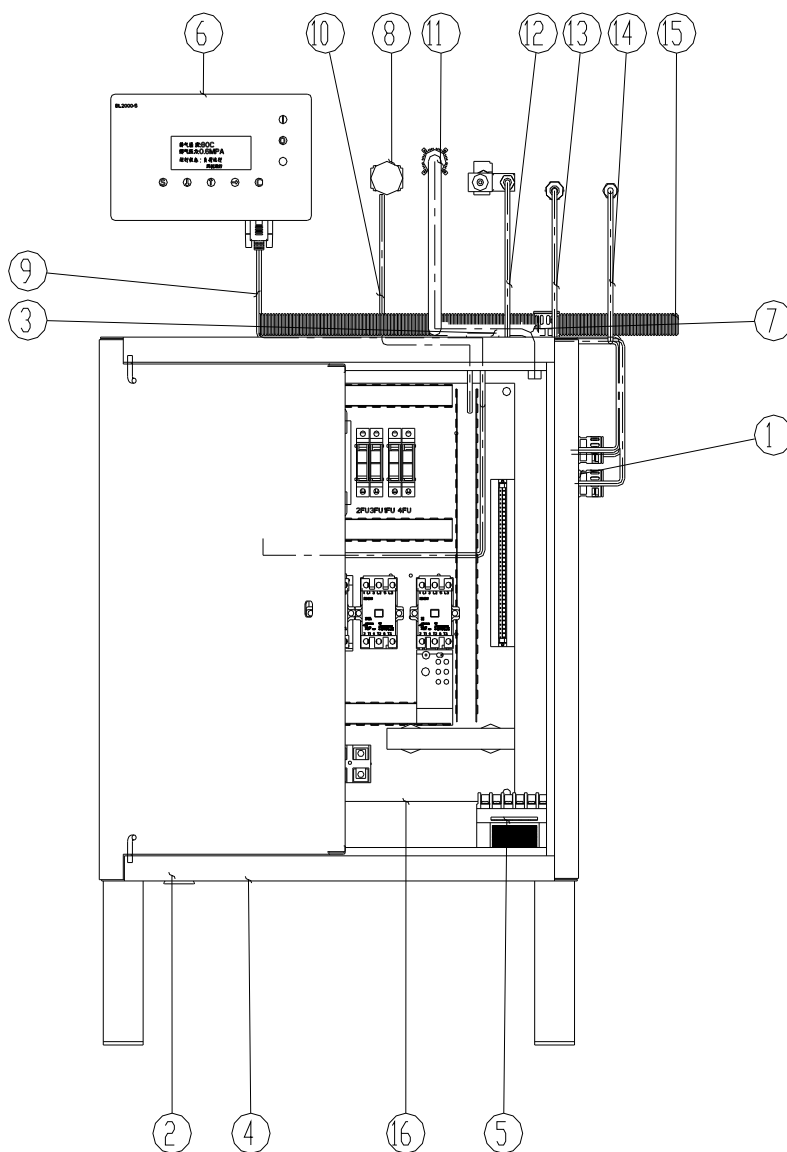
Industrial Control Panel 80800666-009



Item	Part No.	Description	Qty	Item	Part No.	Description	Qty
1	35150801-613	Electrical Base Board	1	11	45070025-003	Copper Platen	1
2	45018016-330	Control Transformer	1	12	45071025-140	Wire Slot	2
3	45020155-017	Contactors	1	13	45081008-032	Insulator	2
4	45020155-032	Contactors	2	14	45086010-010	Fuse	1
5	45020155-109	Contactors	1	15	45086020-010	Fuse	2
6	45021015-220	Terminal	1	16	45086030-010	Fuse	1
7	45021060-103	Power Supply Terminal	2	17	45086050-111	Fuse	3
8	45041400-101	Overload Relay	1	18	45087002-020	Fuse Holder	2
9	45043500-111	Overload Relay	1	19	45087003-600	Fuse Holder	1
10	45065100-206	PLC Controller	1				

12

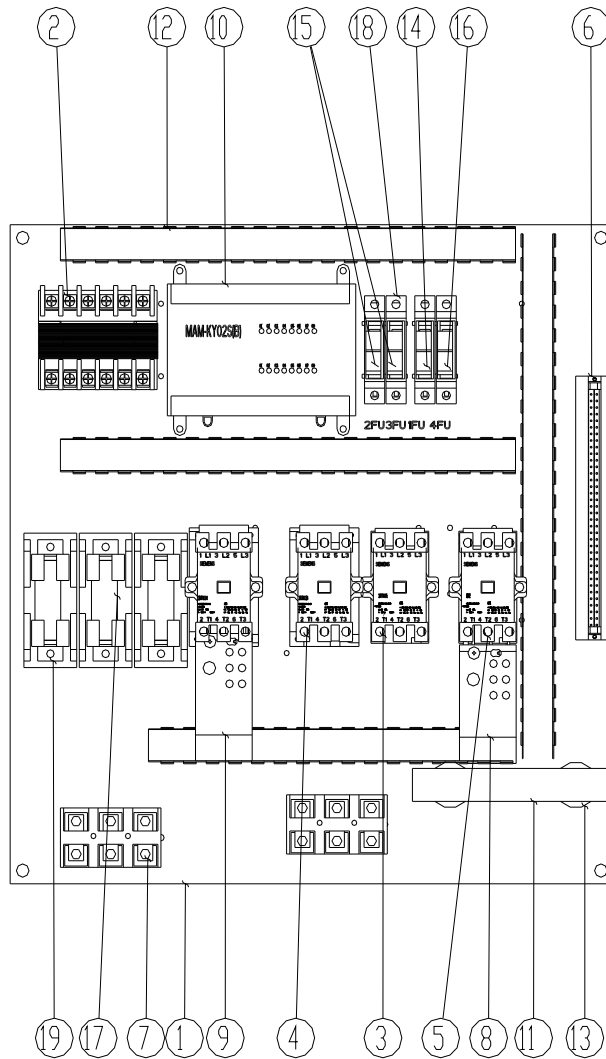
Electrical Panel Components 80800165-010



Item	Part No.	Description	Qty	Item	Part No.	Description	Qty
1	26030001-023	Waterproof Washer	1	9	45075006-413	Communicate Cable	1
2	26030001-035	Waterproof Washer	1	10	45075150-303	Connect Wire	BOM
3	26030001-040	Waterproof Washer	1	11	45075150-303P0	Connect Wire	1
4	35150801-113	Electrical Cabinet	1	12	45075150-303P1	Connect Wire	1
5	45018016-280	3Phase Transformer	1	13	45075150-303P4	Connect Wire	1
6	45064080-916	PLC Displayer	1	14	45075150-303P5	Connect Wire	1
7	45066023-111	Hose Joint	4	15	45080013-301	Wire Tube	BOM
8	45067025-110	Emergency Button	1	16	80800666-010	Industrial Control Panel	1

13

Industrial Control Panel 80800666-010



Item	Part No.	Description	Qty	Item	Part No.	Description	Qty
1	35150801-613	Electrical Base Board	1	11	45070025-003	Copper Platnoon	1
2	45018016-330	Control Transformer	1	12	45071025-140	Wire Slot	2
3	45020155-017	Contactor	1	13	45081008-032	Insulator	2
4	45020155-032	Contactor	2	14	45086010-010	Fuse	1
5	45020155-109	Contactor	1	15	45086020-010	Fuse	2
6	45021015-220	Terminal	1	16	45086030-010	Fuse	1
7	45021060-103	Power Supply Terminal	2	17	45086060-111	Fuse	3
8	45041400-101	Overload Relay	1	18	45087002-020	Fuse Holder	2
9	45043500-111	Overload Relay	1	19	45087003-600	Fuse Holder	1
10	45065100-206	PLC Controller	1				